



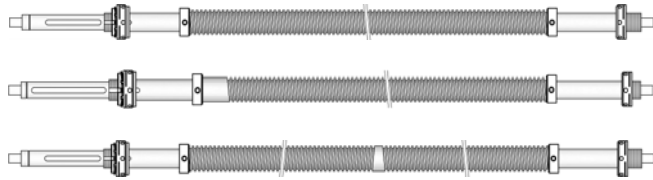
 INDICATIVE SUMMARY OF PRODUCT CHARACTERISTICS		Compact Steel 10/60 - Bidirectional 20/60	Compact Safety 16/60	Compact Light 10/40	Excellent Steel 10/60 - Bidirectional 20/60	Excellent Safety 16/60	Excellent Light 10/40	Tecnology K 20/60 - Tecnology J 20/60	Tecnology Safety KS/A 20/60 - Tecnology Safety JS/A 20/60
<b>KEY TO SYMBOLS</b> X Excess +++ Very, very suitable ++ Very suitable + Suitable - Not suitable									
		Pag. 80 - 81	Pag. 82	Pag. 114 - 115	Pag. 138 - 139	Pag. 140	Pag. 172 - 173	Pag. 194 / Pag. 208	Pag. 195 / Pag. 209
VERTICAL	VERTICAL TRANSLATION LIGHT LOADS	++	+++	++	++	+++	++	X	X
	VERTICAL TRANSLATION MEDIUM LOADS	++	+++	+	++	+++	+	X	X
	VERTICAL TRANSLATION HEAVY LOADS	+	++	-	+	++	-	++	+++
HORIZONTAL	TRANSVERSE TRAVERSE LIGHT LOADS	+++	-	+++	+++	-	+++	X	-
	TRANSVERSE TRAVERSE MEDIUM LOADS	+++	-	++	+++	-	++	+++	-
	TRANSVERSE TRAVERSE HEAVY LOADS	+++	-	-	+++	-	-	+++	-
MAXIMUM TRAVERSE VELOCITIES		++	++	+++	++	++	+++	++	++
MINIMUM DIMENSIONS		+++	+++	+++	++	++	++	+	+
STRUCTURAL STRENGTH		++	++	++	+++	+++	++	+++	+++
END FLOAT ADJUSTMENT		+++ art.LVZ	-	+++ art.LVZ	+++ art.LXY	-	+++ art.LXY0	+++	-
ENVIRONMENTS WITH DUST OR ABRASIVE AGENTS		-	-	-	+++	+++	+++	+++	+++
MOVEMENTS WITHOUT LUBRIFICATION		+	-	+++	+	-	+++	-	-
INOXIDIZABLE with screw in stainless steel or anodized aluminium alloy		+	+	+++	+	+	+++	+	+
FOOD SECTOR without contact with food using stainless steel or aluminium alloy screws		+	+	+++	+	+	+++	+	+
FOOD SECTOR In contact with food using stainless steel or aluminium alloy screws		-	-	+++ with special bushes	-	-	+++ with special bushes	-	-
WET ENVIRONMENTS with screws in stainless steel or anodized aluminium alloy		+	+	+++	++	++	++	++	++
IMMERSION IN SWEET WATER with screw in stainless steel or anodized aluminium alloy		-	-	+++	-	-	-	-	-
IMMERSION IN SALT WATER with stainless steel screw (marine sector)		-	-	++	-	-	-	-	-
FOR USE IN SECTORS: pharmaceutical, chemical, Oenological (without immersion)		+	+	+++	+	+	++	+	+
MAXIMUM LIGHTNESS with aluminium alloy screw (aeronautical sector)		-	-	+++	-	-	+++	-	-
VALUE		EXTREMELY GOOD	GOOD	MEDIUM GOOD	GOOD	MEDIUM GOOD	MEDIUM	LOW	LOW

VALUE EXPLANATION: From the lowest to the highest cost: **EXTREMELY GOOD, VERY GOOD, GOOD, MEDIUM GOOD, MEDIUM, LOW.**

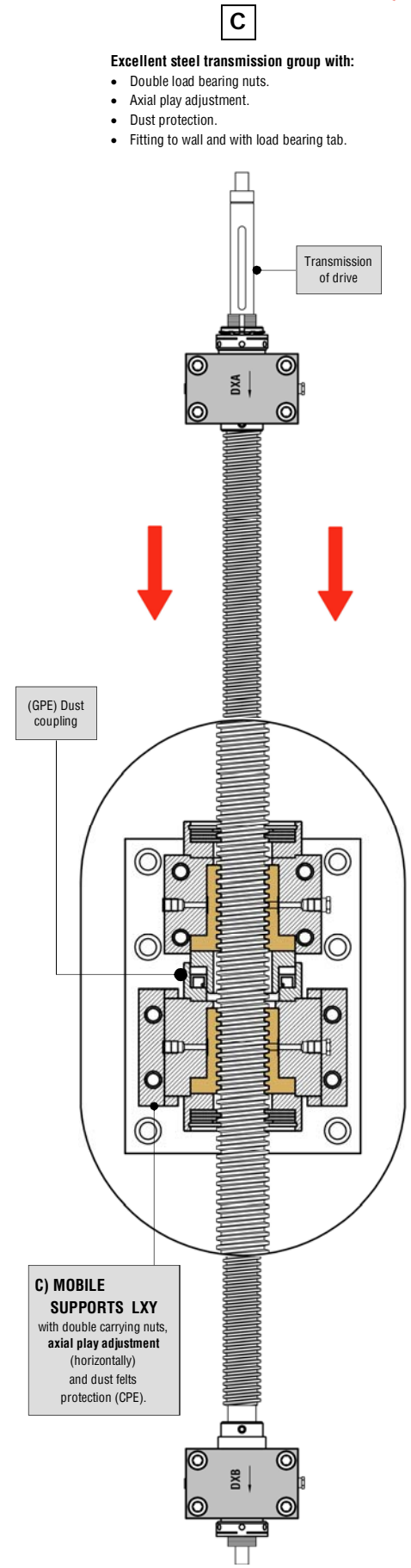
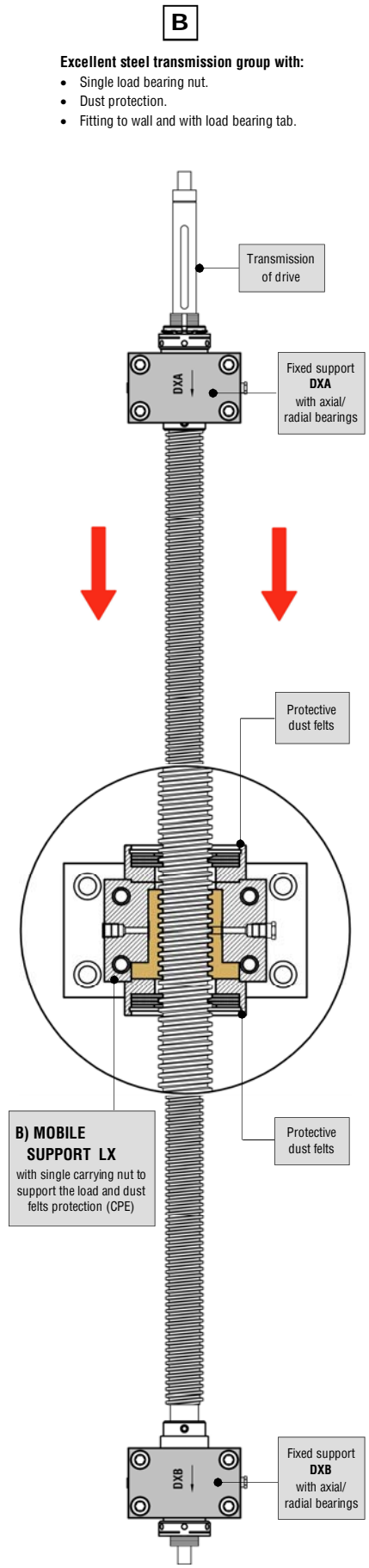
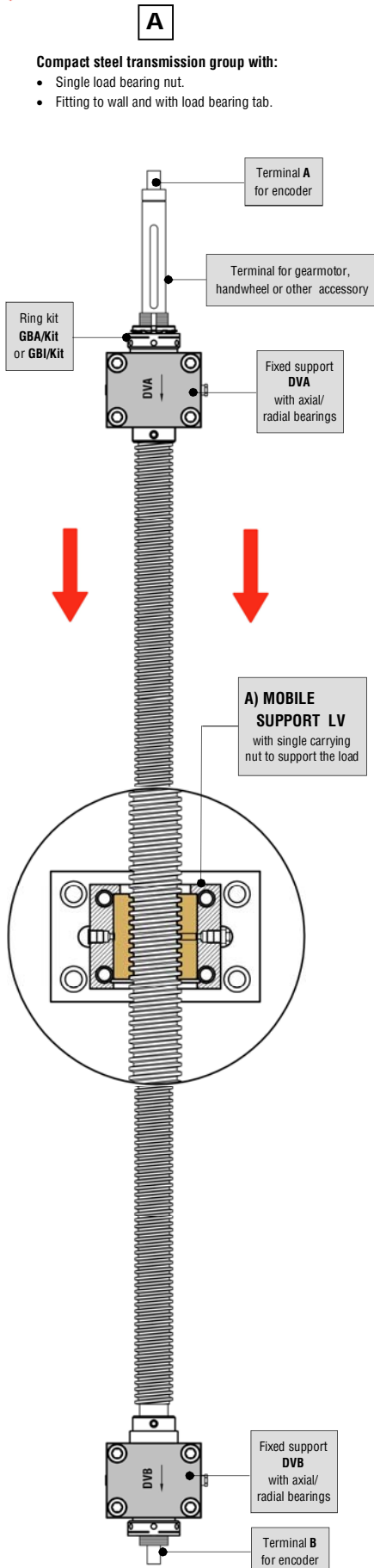
**N.B. All of the transmission drive groups listed above need to work with adequate lubrication (see lubricants on pages 306-309).**

Data relating to maximum loads, maximum speeds and torque necessary for movement of these items are listed in the Basic Theoretical Table on page 13.



Technology Safety KS/VN - KS/VS - KS/VSE (20/60)  Technology Safety JS/VN - JS/VS - JS/VSE (20/60)	Rotary nut 20/60							
		R50 STEEL TRAPEZOIDAL SCREW (11SMnPb37)	R80 STEEL TRAPEZOIDAL SCREW (36SMnPb14)	R100 STEEL TRAPEZOIDAL SCREW (39NiCrMo3)	AISI 303 STAINLESS STEEL TRAPEZOIDAL SCREW (18/08)	AISI 304 STAINLESS STEEL TRAPEZOIDAL SCREW (18/10)	AISI 316 STAINLESS STEEL TRAPEZOIDAL SCREW (18/12)	ALUMINIUM ALLOY TRAPEZOIDAL SCREW (6026 T6)
Pag. 196-197 / 210-211	Pag. 248 - 249	art. BFC	art. BFC	art. BFC	art. BFC	art. BFC	art. BFC	art. BFC
X	+++	+++	X	X	+++	X	X	+
+++	++	++	+++	X	+++	+++	+++	-
++	+	-	++	+++	++	++	++	-
-	+++	+++	X	X	+++	X	X	+++
-	+++	++	+++	X	+++	+++	+++	+
-	+++	+	++	+++	++	++	++	-
++	++	/	/	/	/	/	/	/
+	+	/	/	/	/	/	/	/
++	++	/	/	/	/	/	/	/
-	-	/	/	/	/	/	/	/
+	-	+	++	+++	++	++	++	+
-	-	+	++	+++	++	++	++	+
+	-	-	-	-	++	++	+++	+
+	+	-	-	-	++	+++	X	++
-	-	-	-	-	-	+++	X	+
++	+	-	-	-	+++	+++	X	+
-	-	-	-	-	++	+++	X	+
-	-	-	-	-	-	-	+++	-
+	+	-	-	-	+	++	+++	-
-	-	-	-	-	-	-	-	+++
MEDIUM	LOW	EXTREMELY GOOD	VERY GOOD	GOOD	MEDIUM GOOD	MEDIUM	LOW	MEDIUM GOOD

THE SUPPORTS ARROW MUST ALWAYS BE POSITIONED TOWARDS BELOW INDICATING THE FORCE OF GRAVITY/LOAD IN VERTICAL MOTION



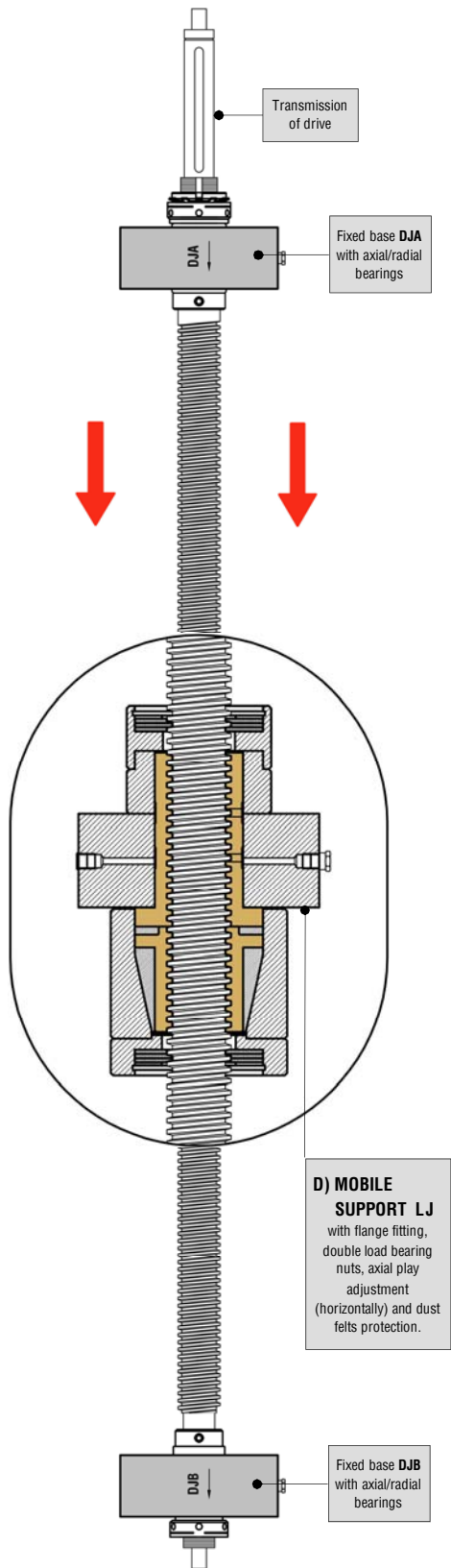
The screw drive transmission groups, all designed and produced by us, form an innovative system which simplifies the design and construction of linear movements on machinery with guaranteed functionality and support. The trapezoidal screws are made to the length required whilst the components are standard and interchangeable with spare parts when worn.

THE SUPPORTS ARROW MUST ALWAYS BE POSITIONED TOWARDS BELOW INDICATING THE FORCE OF GRAVITY/LOAD IN VERTICAL MOTION

**D**

**Tecnology J transmission group with:**

- Double load bearing nuts.
- Axial play adjustment.
- Dust protection.
- Fitted to supporting flange.

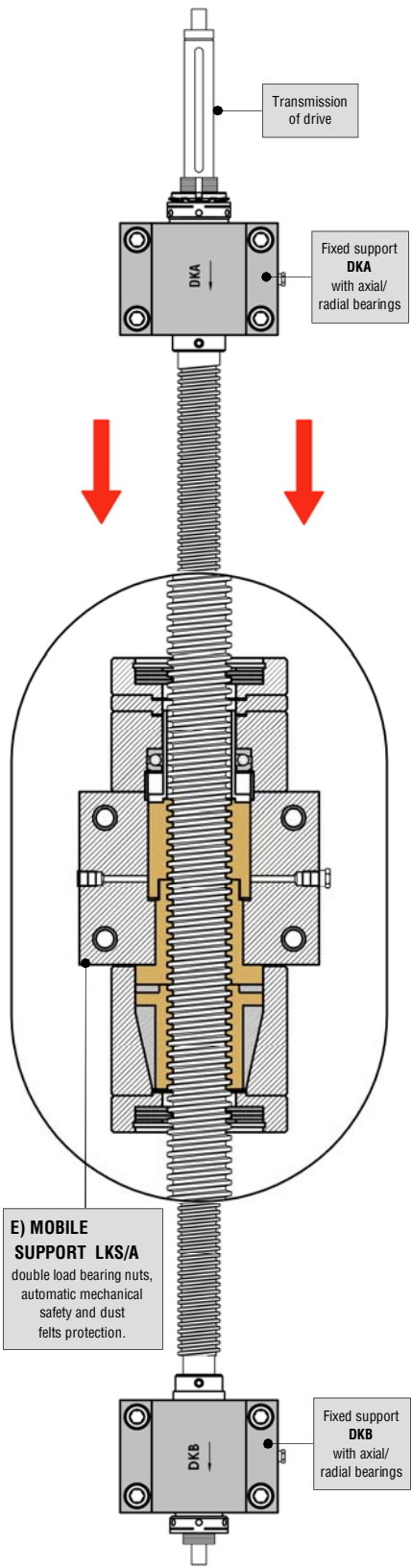


**D) MOBILE SUPPORT LJ**  
with flange fitting, double load bearing nuts, axial play adjustment (horizontally) and dust felts protection.

**E**

**Tecnology safety KS/A transmission group with:**

- Double load bearing nuts.
- Automatic mechanical safety system.
- Dust protection.
- Fitting to wall and with load bearing tab.

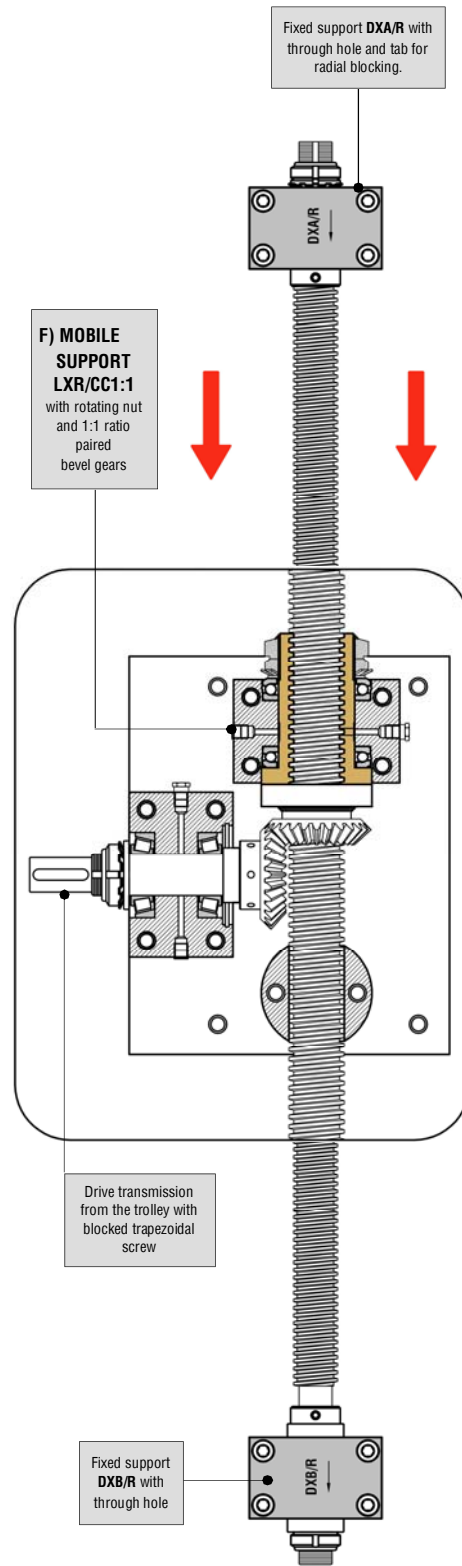


**E) MOBILE SUPPORT LKS/A**  
double load bearing nuts, automatic mechanical safety and dust felts protection.

**F**

**Rotary nut transmission group with:**

- Single rotating load bearing nut.
- Fixed screw, constrained at both ends.
- Rotating nut + 1.1 paired bevel gears.
- Fitting to wall and with load bearing tab.



**F) MOBILE SUPPORT LXR/CC1:1**  
with rotating nut and 1:1 ratio paired bevel gears

Drive transmission from the trolley with blocked trapezoidal screw

Fixed support DXB/R with through hole

N.B. Further to the models shown above we invite you to view the following pages where the full range of our trapezoidal screw drive transmission groups are illustrated in detail, including spare parts.